

Installation and Setting-Up Instructions



Contents :

- 1 TECHNICAL DATA
- 2 OPERATION, CONSTRUCTION AND PART LIST
- 3 DIMENSIOS
- 4 MOUNTING
- 5 PROTECTION KITS

DOCUMENTS

Technical Specifications : G347

Installation and Setting-Up Instructions : G347AV

We reserve the right for technical modifications without prior notice.

PASVE® is the registered trademark of Satron Instruments Inc.



Satron Instruments Inc.
P.O. Box 22, FIN-33901 Tampere
Tel. +358 207 464 800
Telefax +358 207 464 801
www.satron.com, info@satron.com

1. Technical data

PASVE® SC/SF/SH/SP/ST is a miniature ball valve which readily accepts commercially available septum hygienic rubbers. The PASVE® SC/SF/SH/SP/ST provides you with the opportunity of taking hygienic samples from your process without interrupting the process.

The PASVE® SC/SF/SH/SP/ST can be used in any industrial process where it is necessary obtain a sample from the process which is not influenced or contaminated from any outside disturbances.

The PASVE® SC/SF/SH/SP/ST is a member of the Satron PASVE® Series, which is commonly used with pH probes, oxygen sensors and Satron's high precision patented pressure and level transmitters.

Technical Specifications

Material

Housing: AISI316L

Gasket: PTFE / Silicone rubber seal

Max. process pressure:

10 bar (150 psi)

(subject to type of rubber septum selected)

Max. process temperature:

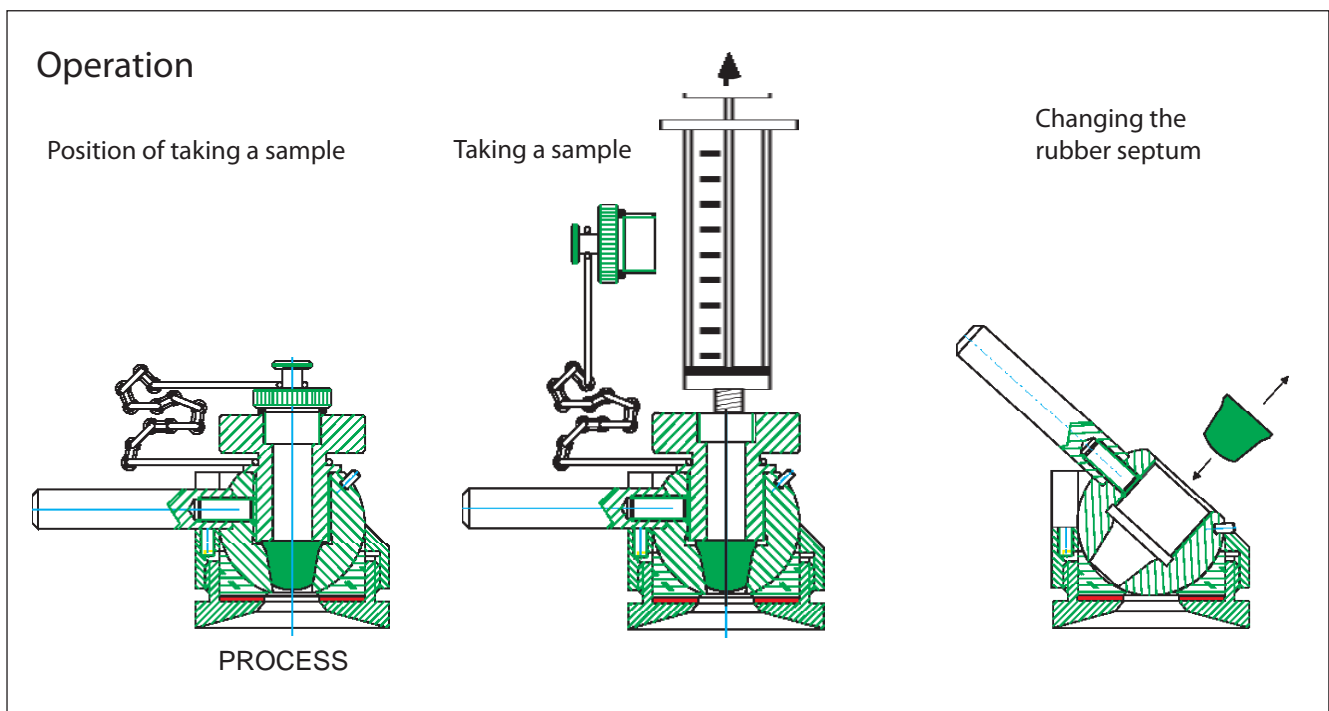
120 °C (250 °F) (subject to type of rubber septum selected)

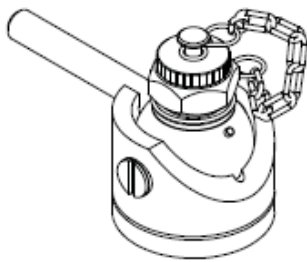
European Directive Information

European Pressure Equipment Directive (PED) (97/23/EC)

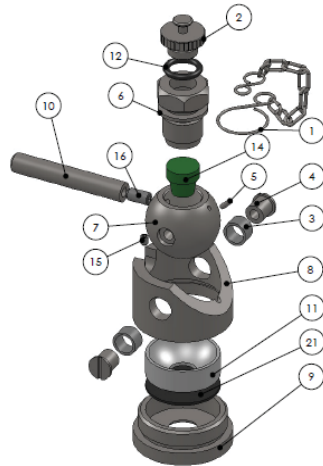
- Sound Engineering Practice

2. Operation, construction and parts list

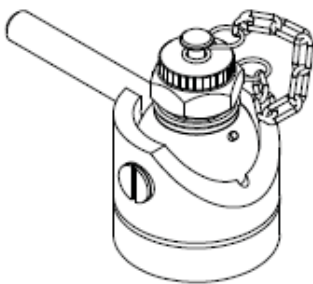




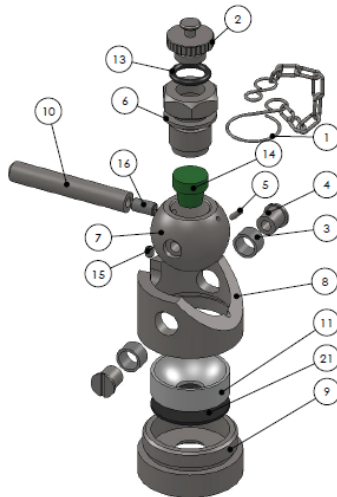
PASVE SC



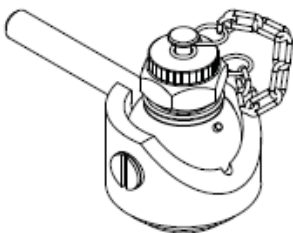
Part no.	Part name	Order code
1	Chain	V10106003
2	Shut-off plug	V10103003
3	Bearing	V10103004
4	Shaft	V10103005
5	Lock pin	V10103006
6	Special nut V	T1010344
7	Valve ball V	T1010342
8	Valve body V	T1010343
9	Coupling part, thickness 5.5 mm	V10103010
10	Lever arm	V10103011
11	Gasket	V10103012
13	O-ring Ø11,3x2,4 NBR	80001101
14	Rubber septum	V10103014
15	Locking screw M3x4 DIN916 A4	53002390
16	Retaining screw M5x10 DIN916 A4	53002510
21	Rubber seal	T1010331



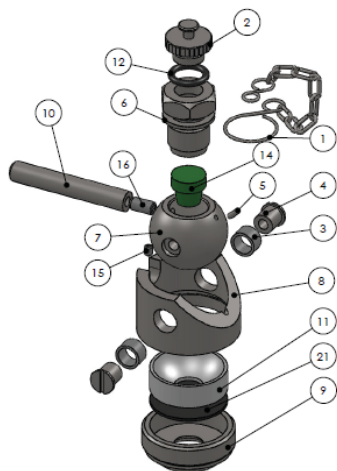
PASVE SC - 10



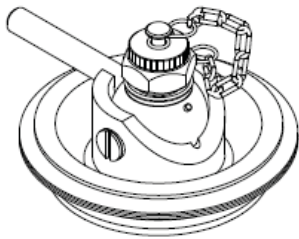
Part no.	Part name	Order code
1	Chain	V10106003
2	Shut-off plug	V10103003
3	Bearing	V10103004
4	Shaft	V10103005
5	Lock pin	V10103006
6	Special nut V	T1010344
7	Valve ball V	T1010342
8	Valve body V	T1010343
9	Coupling part, thickness 10 mm	T1010321
10	Lever arm	V10103011
11	Gasket	V10103012
13	O-ring Ø11,3x2,4 NBR	80001101
14	Rubber septum	V10103014
15	Locking screw M3x4 DIN916 A4	53002390
16	Retaining screw M5x10 DIN916 A4	53002510
21	Rubber seal	T1010331



PASVE SP



Part no.	Part name	Order code
1	Chain	V10106003
2	Shut-off plug	V10103003
3	Bearing	V10103004
4	Shaft	V10103005
5	Lock pin	V10103006
6	Special nut V	T1010344
7	Valve ball V	T1010342
8	Valve body V	T1010343
9	Coupling part	V10103016
10	Lever arm	V10103011
11	Gasket	V10103012
13	O-ring Ø11,3x2,4 NBR	80001101
14	Rubber septum	V10103014
15	Locking screw M3x4 DIN916 A4	53002390
16	Retaining screw M5x10 DIN916 A4	53002510
21	Rubber seal	T1010331

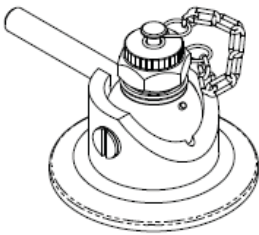


PASVE ST

- Tuchenhagen, sizes DN25/DN32 and DN40/DN50

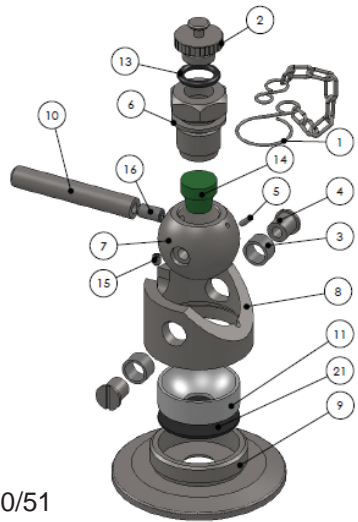


Part no.	Part name	Order code
1	Chain	V10106003
2	Shut-off plug	V10103003
3	Bearing	V10103004
4	Shaft	V10103005
5	Lock pin	V10103006
6	Special nut V	T1010344
7	Valve ball V	T1010342
8	Valve body V	T1010343
9	Coupling part, DN25/DN32	T1010335
9	Coupling part, DN40/DN50	V10103015
10	Lever arm	V10103011
11	Gasket	V10103012
13	O-ring Ø11,3x2,4 NBR	80001101
14	Rubber septum	V10103014
15	Locking screw M3x4 DIN916 A4	53002390
16	Retaining screw M5x10 DIN916 A4	53002510
21	Rubber seal	T1010331
22	O-ring Ø43x3 EPDM	80034303
22	O-ring Ø62x3 EPDM	80036203

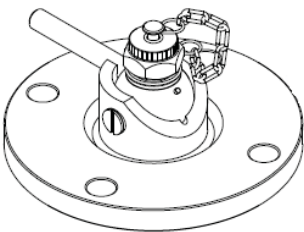


PASVE SH

- Tri-Clamp, sizes DN25/38 and DN40/51

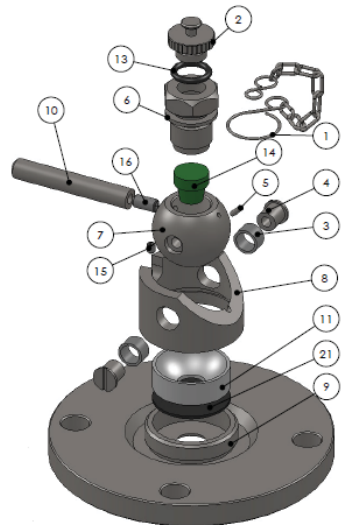


Part no.	Part name	Order code
1	Chain	V10106003
2	Shut-off plug	V10103003
3	Bearing	V10103004
4	Shaft	V10103005
5	Lock pin	V10103006
6	Special nut V	T1010344
7	Valve ball V	T1010342
8	Valve body V	T1010343
9	Coupling part, Tri-Clamp 33,7/38	V10103017
9	Coupling part, Tri-Clamp 40/51	V10103018
10	Lever arm	V10103011
11	Gasket	V10103012
13	O-ring Ø11,3x2,4 NBR	80001101
14	Rubber septum	V10103014
15	Locking screw M3x4 DIN916 A4	53002390
16	Retaining screw M5x10 DIN916 A4	53002510
21	Rubber seal	T1010331



PASVE SF

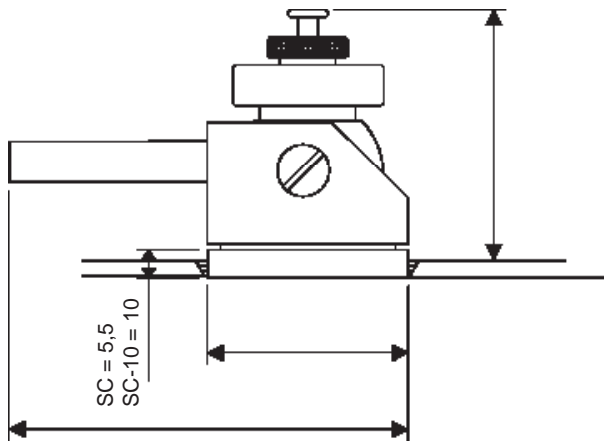
- Flange SF D110 APV-FN1-50
- Flange SF D110



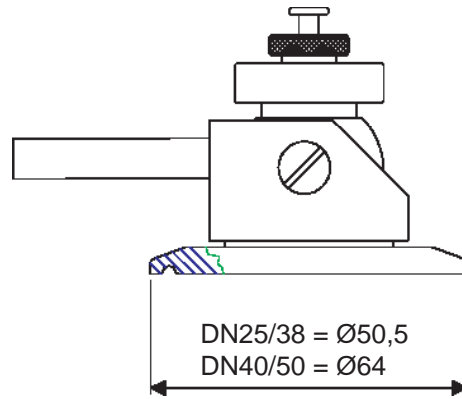
Part no.	Part name	Order code
1	Chain	V10106003
2	Shut-off plug	V10103003
3	Bearing	V10103004
4	Shaft	V10103005
5	Lock pin	V10103006
6	Special nut V	T1010344
7	Valve ball V	T1010342
8	Valve body V	T1010343
9	Coupling part, flange SF D110 APV-FN1-50	T1010320
9	Coupling part, flange SF D110	T1010319
10	Lever arm	V10103011
11	Gasket	V10103012
13	O-ring Ø11,3x2,4 NBR	80001101
14	Rubber septum	V10103014
15	Locking screw M3x4 DIN916 A4	53002390
16	Retaining screw M5x10 DIN916 A4	53002510
21	Rubber seal	T1010331

Seal kit for Pasve SC, SF, SH, SP and ST Incl. parts no. 11, 13 and 21	M1010050
---	----------

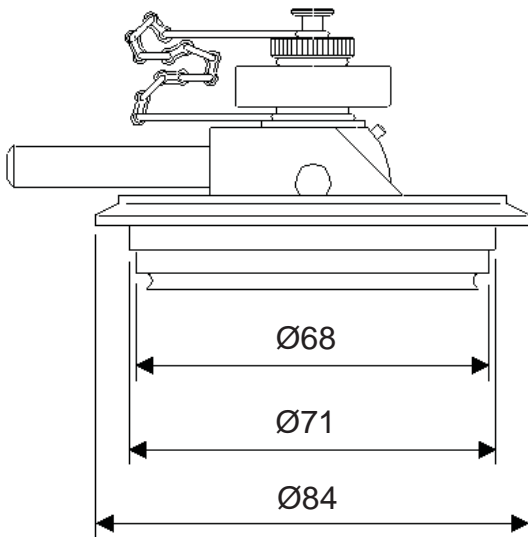
3. Dimensions (in mm)



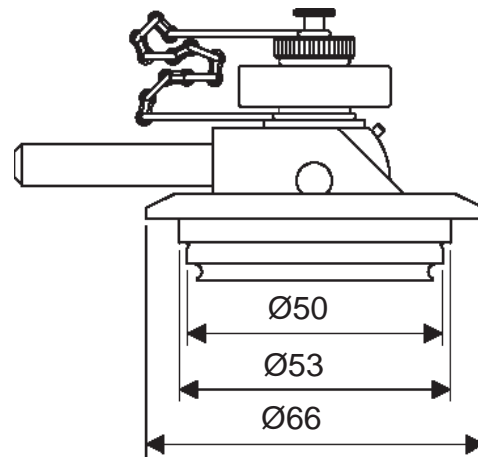
**PASVE SC
and SC - 10**



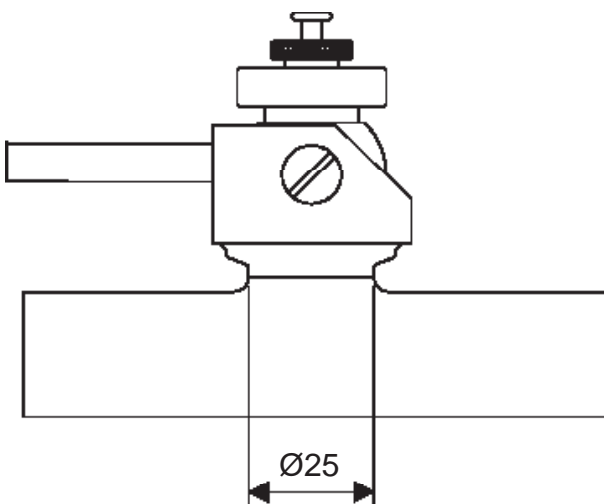
**PASVE SH (Tri-Clamp)
- Sizes DN25 / 38 and DN40 / 51**



**PASVE ST (Tuchenhagen)
- Size DN40 / 50**



**PASVE ST (Tuchenhagen)
- Size DN25 / 32**

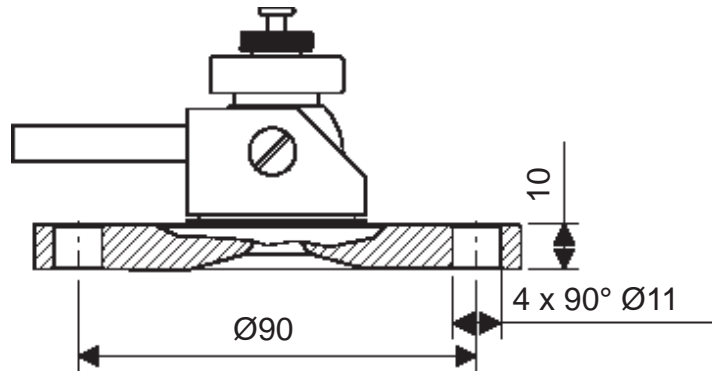


PASVE SP

Dimensions (in mm)

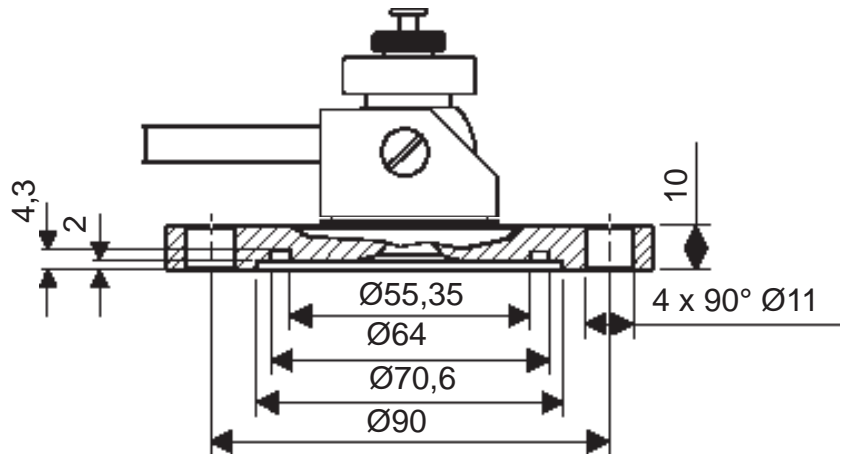
PASVE SF

- Flange SF D110
- Outer diameter of flange is 110 mm

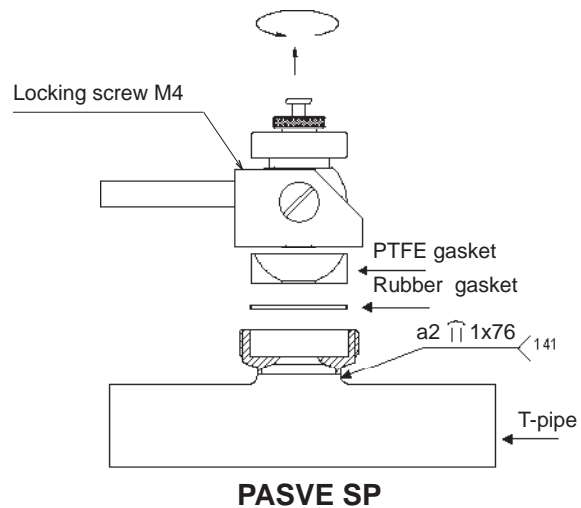
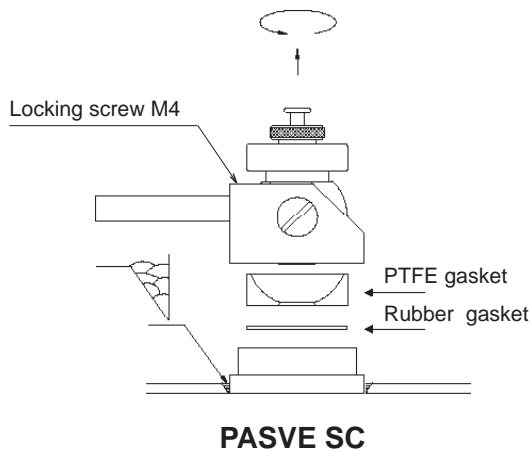


PASVE SF

- Flange SF D110 APV-FN1-50
- Outer diameter of flange is 110 mm



4. Mounting of PASVE SC/SP

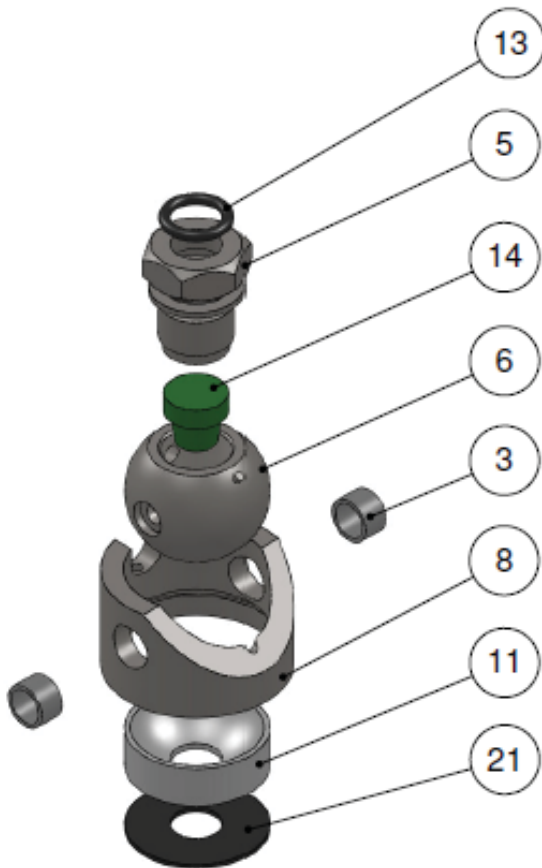


1. Make a hole of 40 mm for the valve (type SC)
2. Open the locking screw
3. Remove the ball and gasket
4. Weld the frame using small rod (multiple seams)
5. Assemble the gasket and ball
6. Tighten the gasket (Do not use any tools)
7. Tighten the locking screw

Mounting of PASVE SH and ST

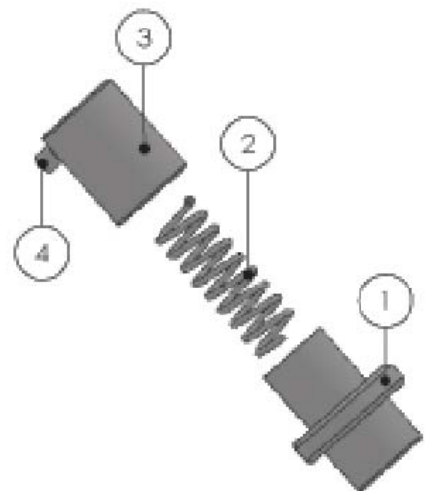
PASVE SH and ST will be fixed with clamp to the coupling.

5. Upgrade kit



Part no.	Part name	Order code
3	Bearing	V10103004
5	Special nut V	T1010344
6	Valve ball V	T1010342
8	Valve body LV	T1010343
11	Gasket	V10103012
13	O-ring Ø11,3 x 2,4 NBR	80001101
14	Rubber septum	V10103014
21	Rubber seal	T1010331
Upgrade kit, assembly		M1010043

Protection kit



Part no.	Part name	Order code
1	Pull-out sleeve	T1010338
2	Spring	T1010341
3	Locking sleeve	T1010339
4	Retaining screw M4x4 DIN916 A4	53002440
Protection kit 2, assembly		M1010042